



Solid Cable SF/UTP Cat.5e EconLine

Technical Features

Category 5e

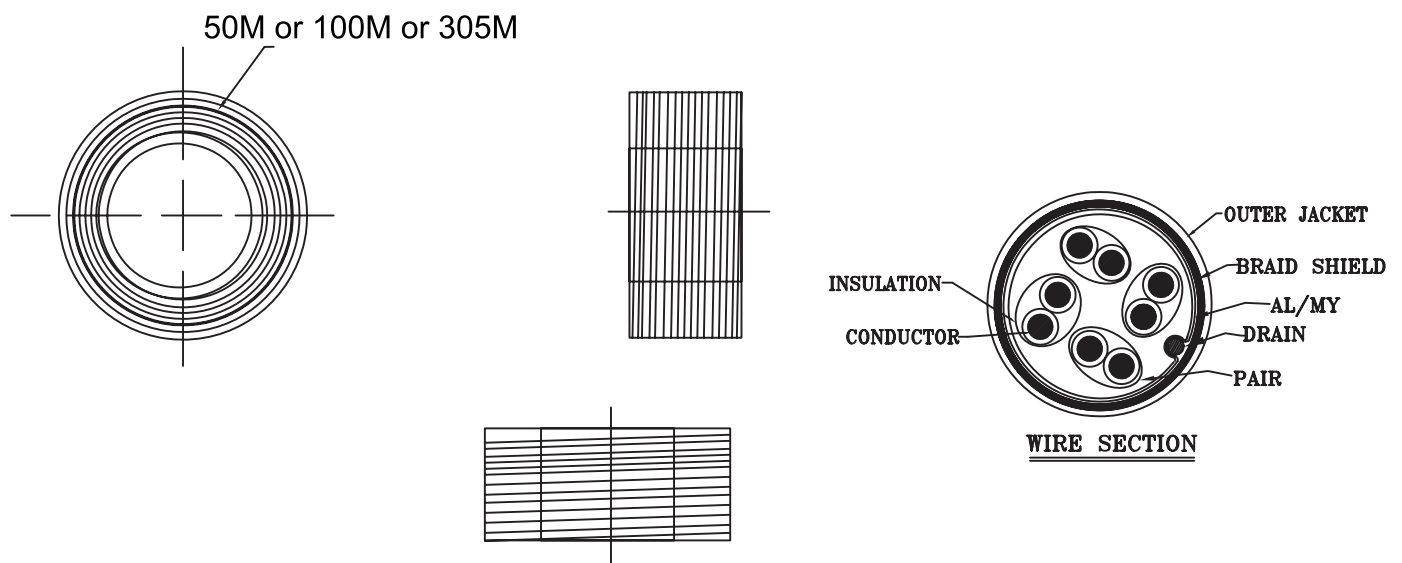
AWG 24 CCA

Double Shielded

PVC Jacket

Grey

Technical Drawings



www.logilink.com



RoHS
compliant



Made in China

* The specifications and pictures are subject to change without notice.
*All trade names referenced are the registered namework of their respective owners.

Length	Part no.	EAN Code
50 m	CPV0030	4260113568026
100 m	CPV007	4260113563281
305 m	CPV009	4260113563304
500 m	CPV0107	4052792030303

Package Contents

Solid Cable SF/UTP Cat.5e EconLine x 1

Packaging Informations(CPV0030)

Packing Dimension	Ø20 x 9mm
Packing Weight	1.14kg
Carton Dimension	420 x 360 x 210mm
Carton Q'ty	10pcs
Carton Weight	13.7kg

Packaging Informations(CPV007)

Packing Dimension	260 x 260 x 100mm
Packing Weight	2.58kg
Carton Dimension	540 x 280 x 320mm
Carton Q'ty	6pcs
Carton Weight	18kg



Packaging Informations(CPV009)

Packing Dimension	370 x 370 x 210mm
Packing Weight	7.7kg
Carton Dimension	455 x 385 x 385mm
Carton Q'ty	2pcs
Carton Weight	17.8kg

Packaging Informations(CPV0107)

Packing Dimension	30 x 35mm
Packing Weight	15kg
Carton Dimension	320 x 320 x 380mm
Carton Q'ty	1 pcs
Carton Weight	16kg





2direct GmbH – Langenstück 5 – 58579 Schalksmühle

CE- DECLARATION OF PERFORMANCE

No. 101117_3

Unique product - type identification code LogiLink Cable Cat.5e SF/UTP (CPV007/9/30)
Intended use High-speed data transmission cabling
Importer/Distributor 2direct GmbH
Langenstück 5
D-58579 Schalksmühle

Notified body VDE
Notified body no. 0366*

Classification Report No 5022677/03-1
Issue number 1
Date of issue 2017-07-18

System/s of AVCP 3

Test method and test number EN 60332-1-2

Reaction to fire performance

Essential Characteristic	Performance	Harmonized techn. Standard
Fire behaviour	Eca	EN 50575:2014 + A1:2016
Hazardous substances	NPD	

The performance of the product identified above is in conformity with the set of declared performance/s. This declaration of performance is issued, in accordance with Regulation (EU) No 305/2011, under the sole responsibility of the manufacturer identified above.

Schalksmühle, March 16th., 2017

Place and date of issue


Signature (Wilfried Grohnert)

Bank national:
Volksbank im Märkischen Kreis eG
BLZ: 447 615 34
Kto.[EUR] 118 547 300
Kto.[USD] 118 547 315

Bank international:
Volksbank im Märkischen Kreis eG
BIC/SWIFT: GENODEM1NRD
IBAN: DE27447615340118547300
IBAN: DE10447615340118547315

2direct GmbH
Langenstück 5
D-58579 Schalksmühle
Tel. +49-2351-66887-0
Fax. +49-2351-66887-29

UST Id.-Nr. DE813146449
Homepage: www.2direct.de
Register: HRB 4819, Iserlohn
WEEE-Reg.-Nr.: DE81077960
GF: W. Grohnert, J. Alberts